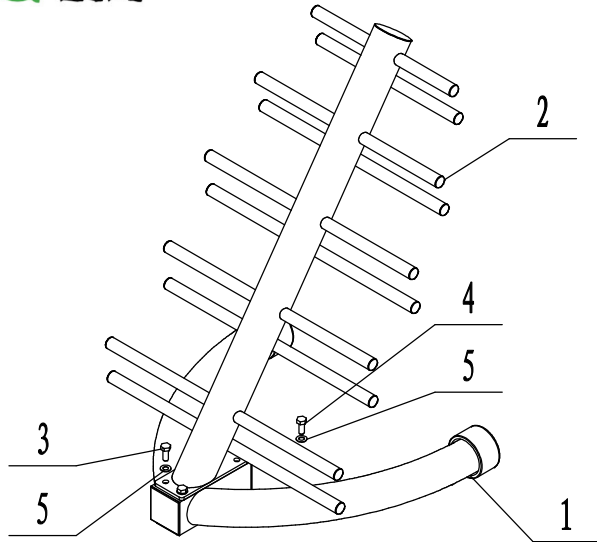
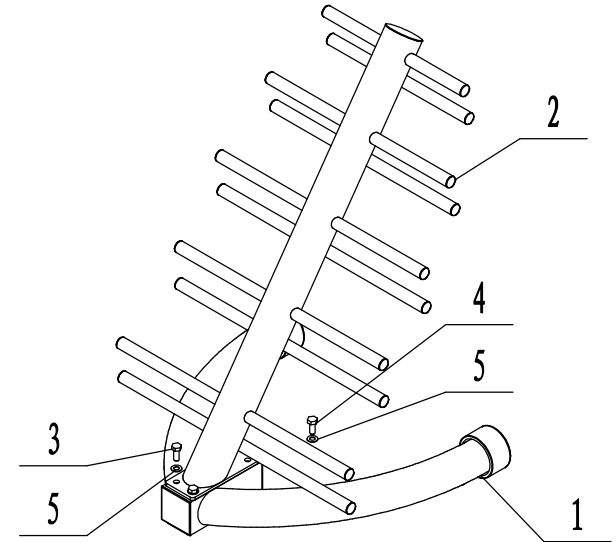


# MP943

BSQ LINE



Packing List			
Item No.	Description	Qty	
1	Base	1	
2	Frame	1	
3	M8*20 bolt	2	
4	M8*12 bolt	2	
5	Ø8 washer	4	



Packing List			
Item No.	Description	Qty	
1	Base	1	
2	Frame	1	
3	M8*20 bolt	2	
4	M8*12 bolt	2	
5	Ø8 washer	4	