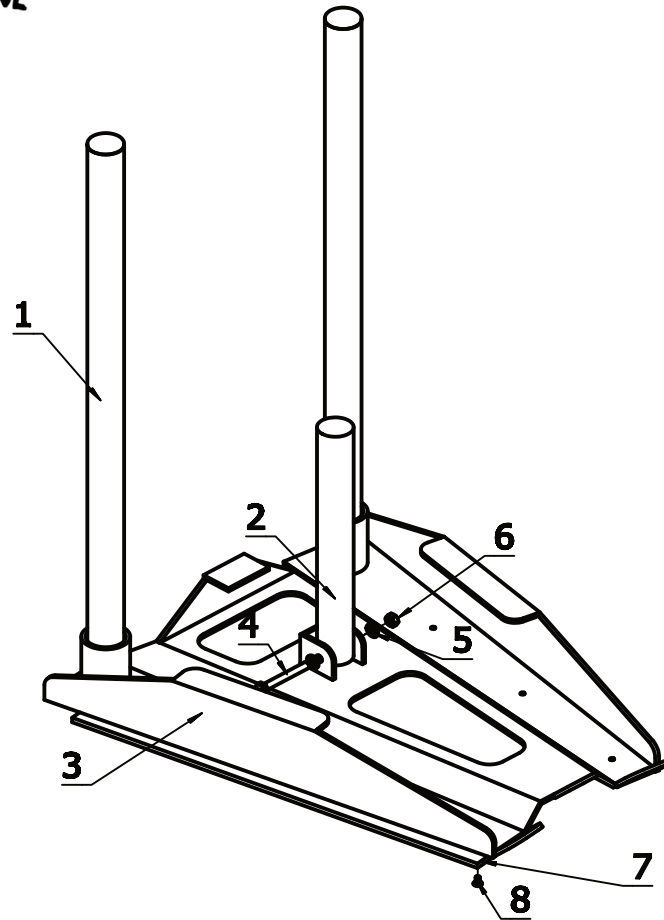
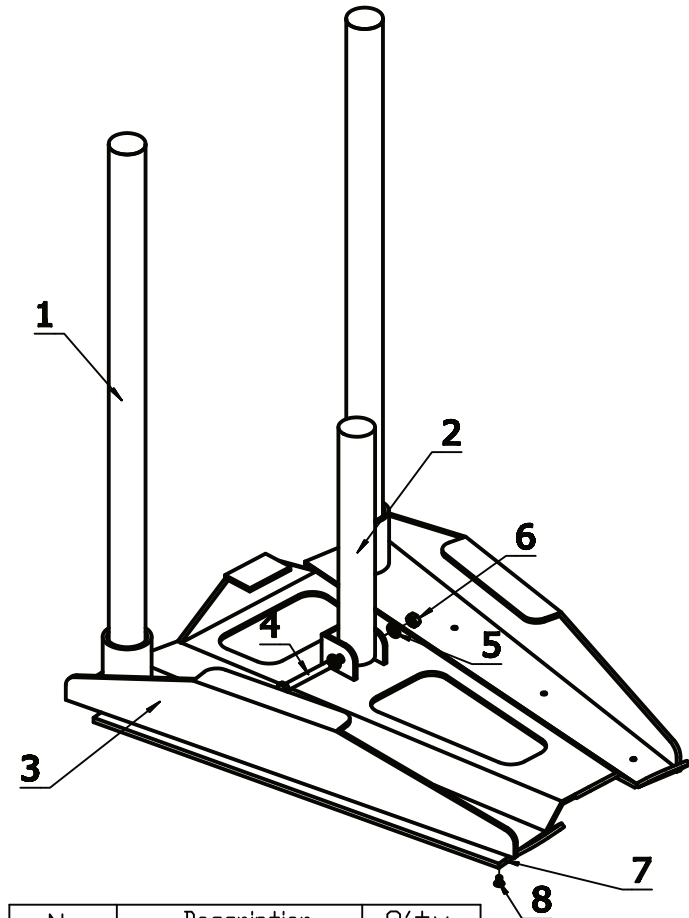


Slice sled MP12209

HQ LINE



No.	Description	Q'ty
1	The push rod	2
2	Limit lever	1
3	Support frame	1
4	Bolt M10x80	1
5	Washer $\phi 10$	2
6	Nut M10	1
7	Nylon plate	2
8	Bolt M6x12	8



No.	Description	Q'ty
1	The push rod	2
2	Limit lever	1
3	Support frame	1
4	Bolt M10x80	1
5	Washer $\phi 10$	2
6	Nut M10	1
7	Nylon plate	2
8	Bolt M6x12	8