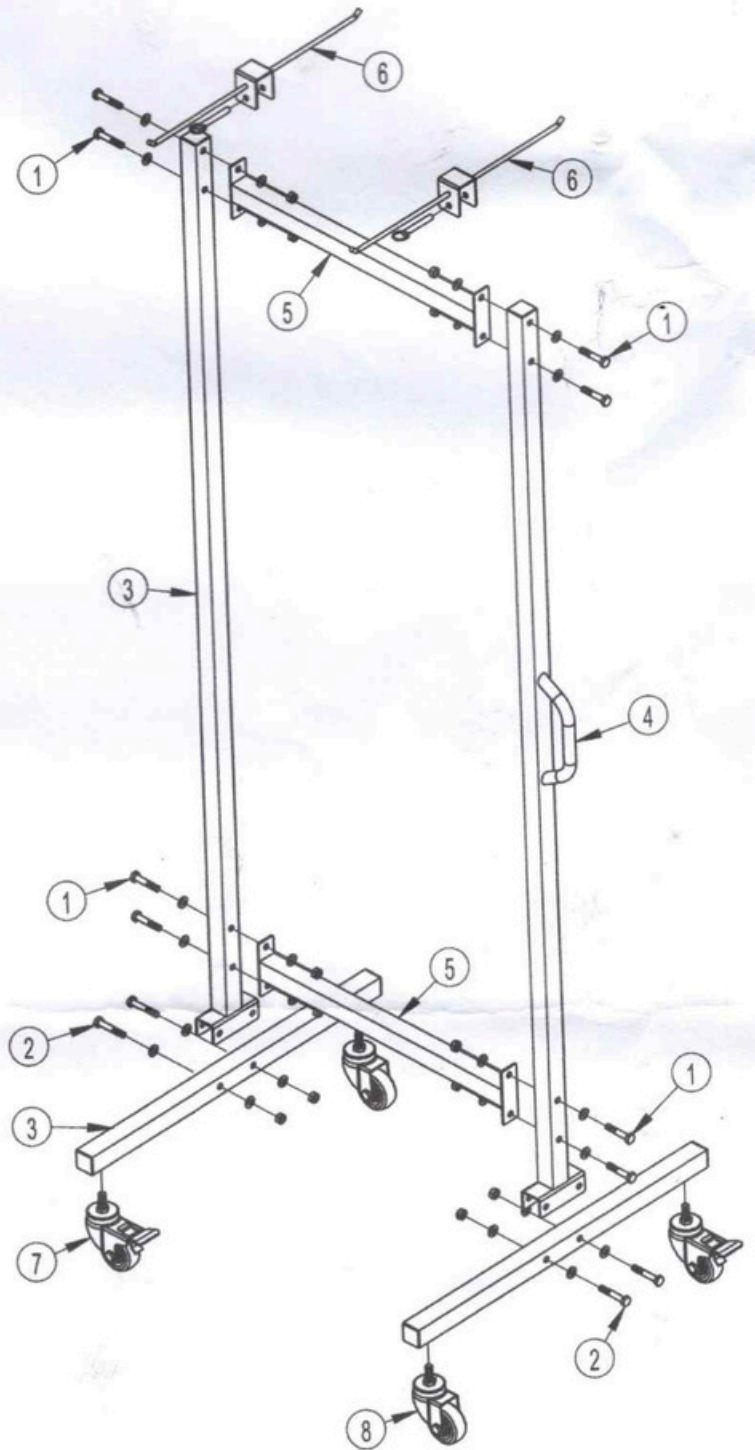
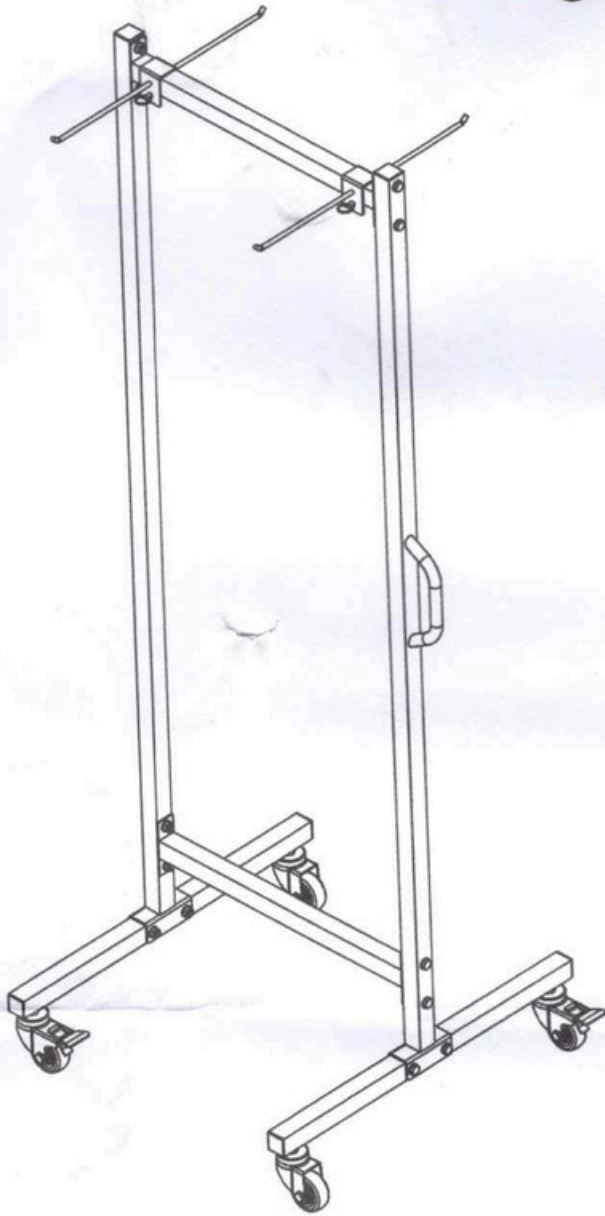


Yoga mat rack



| ITEM NO. | DESCRIPTION | Q'TY |
|----------|--|--------|
| 1 | HEX BOLT M10*55 + 2 WASHERS + NYLON LOCK NUT | 8 SETS |
| 2 | HEX BOLT M10*60 + 2 WASHERS + NYLON LOCK NUT | 4 SETS |
| 3 | FOOT TUBE | 2 |
| 4 | UPRIGHT TUBE | 1 |
| 5 | UPRIGHT TUBE WITH HANDBAR | 1 |
| 6 | YOGA MAT HOLDER | 2 |
| 7 | TRANSPORT WHEEL WITH LOCK | 2 |
| 8 | TRANSPORT WHEEL | 2 |